

EN - Refrigerating air dryer

# ***SACT 800-2500 VS***

ENGLISH

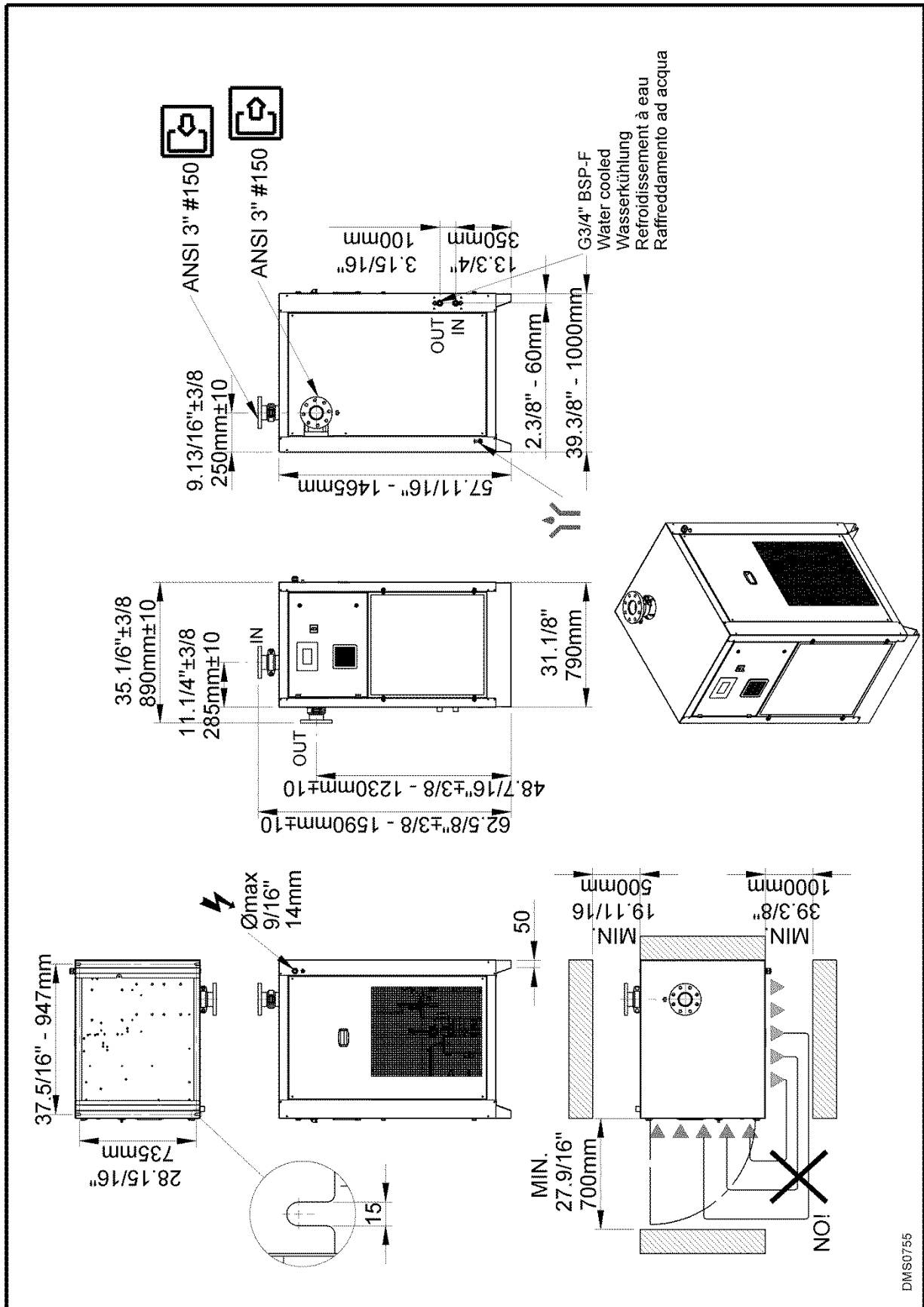


*EN - User's maintenance and spare parts manual*

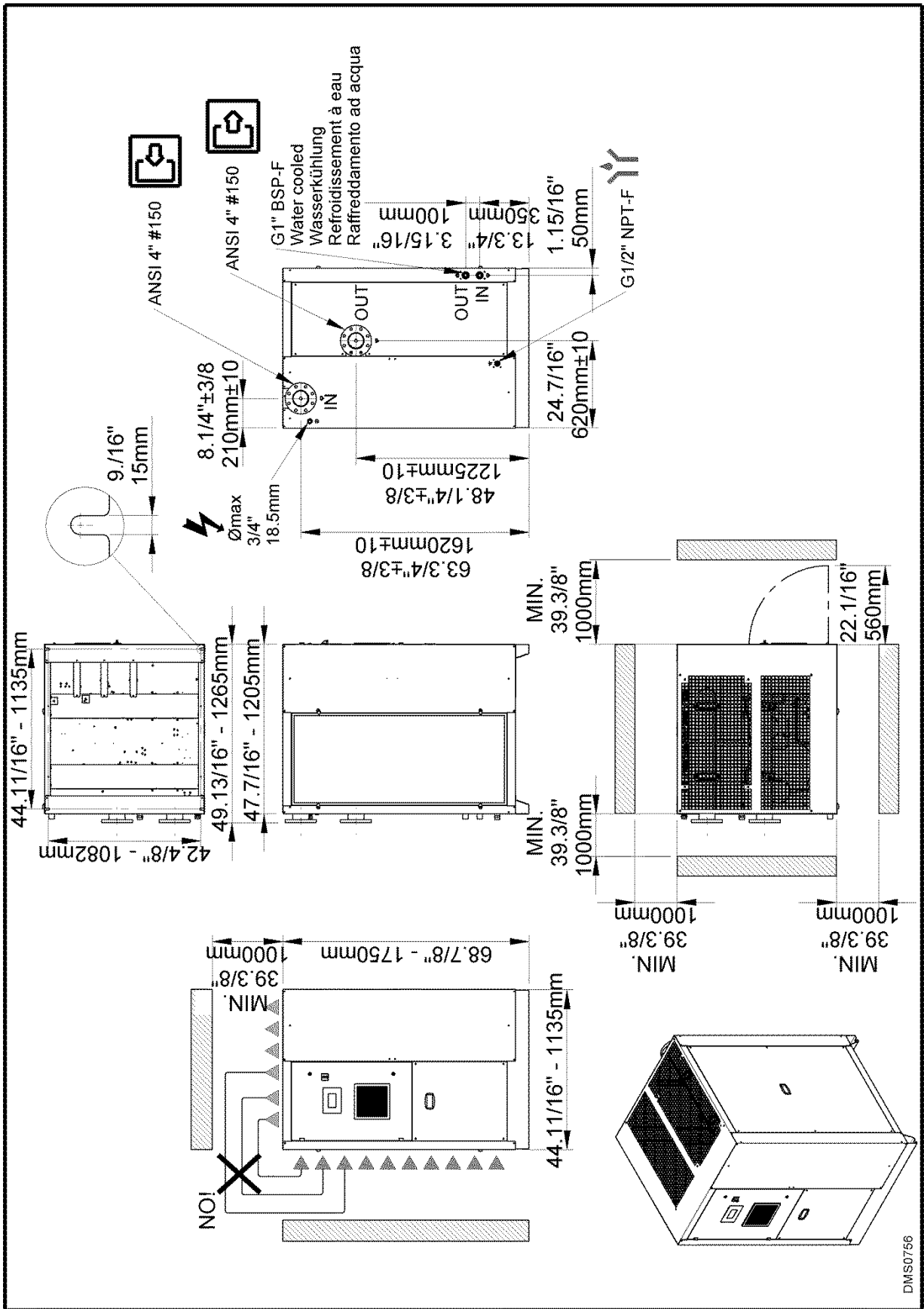
# **SCHULZ**

12.1 Dryers dimensions

1.1.1 SACT VS 800 – 1250

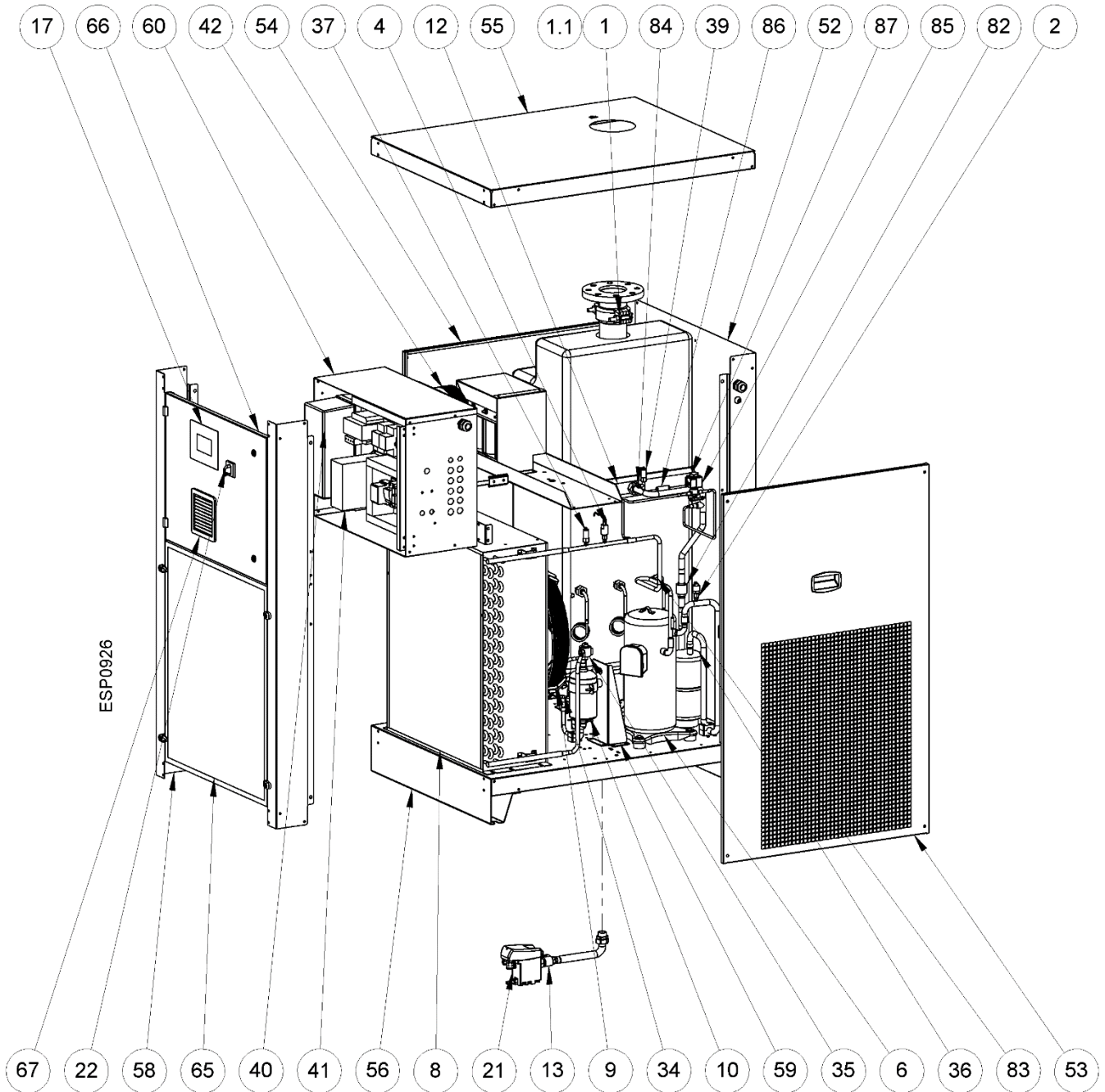


1.1.2 SACT VS 1500 – 2500

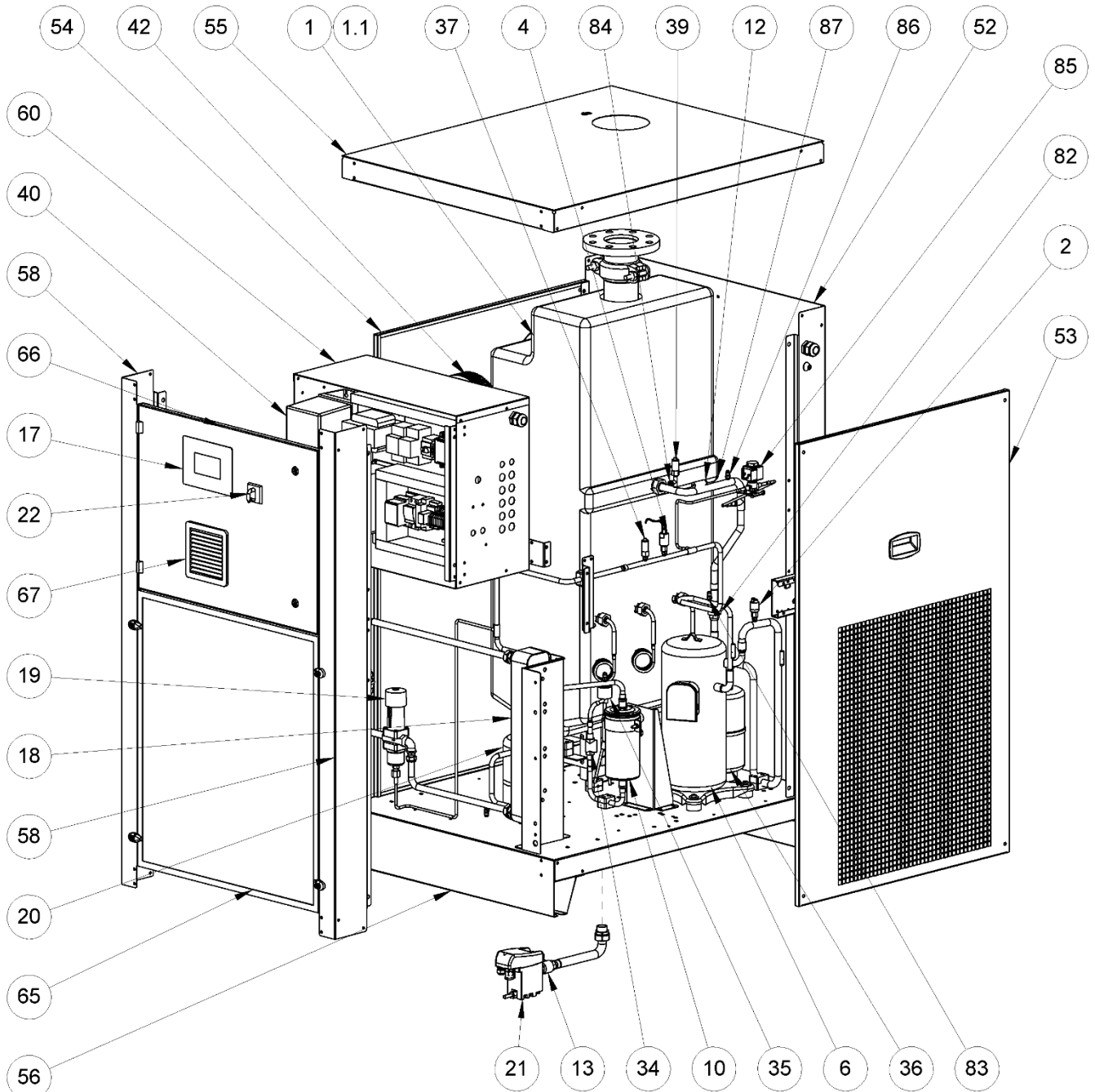


12.2 Exploded views

12.2.1 SACT VS 800 – 1250 Air Cooled

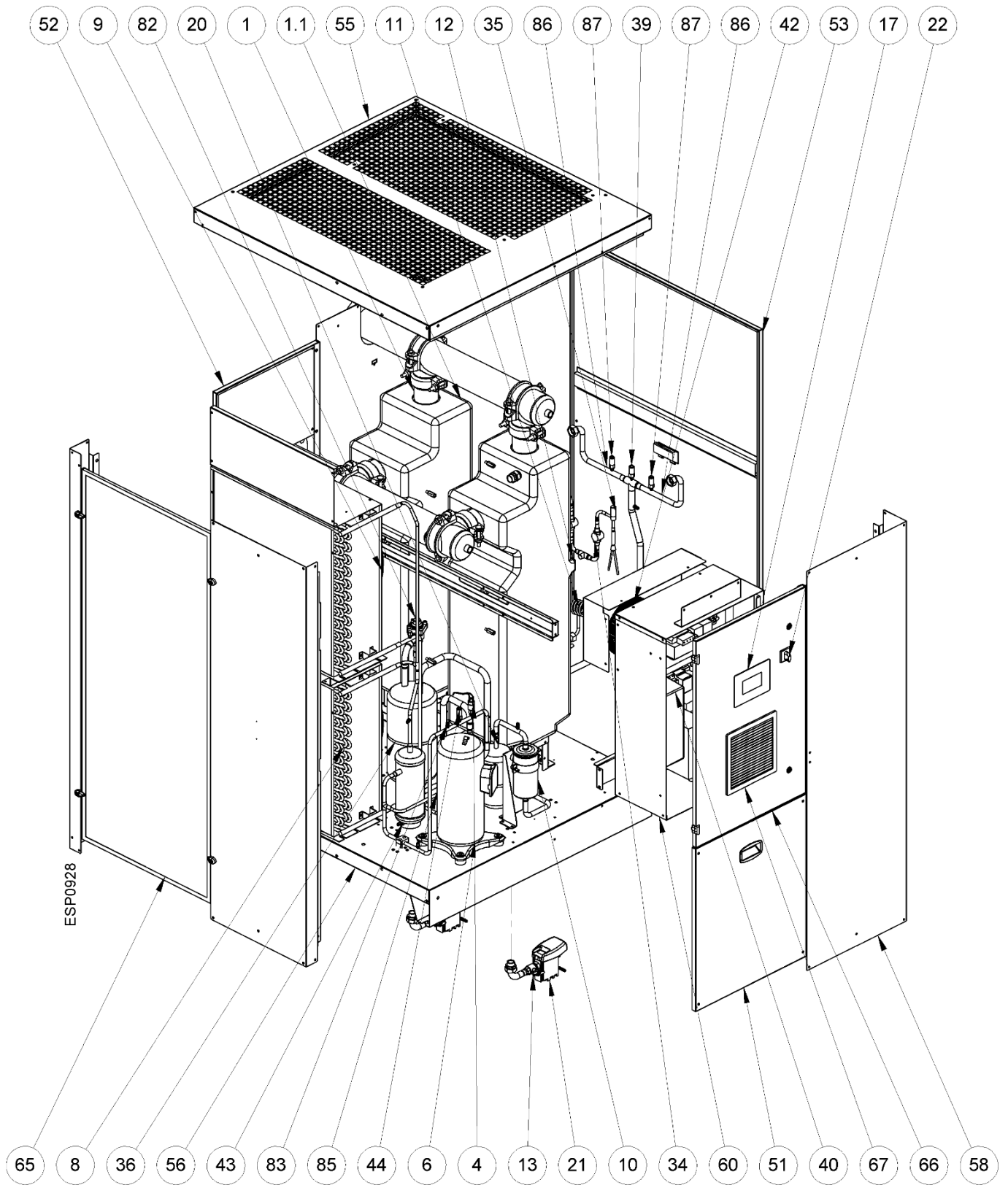


12.2.2 SACT VS 800 – 1250 Water Cooled

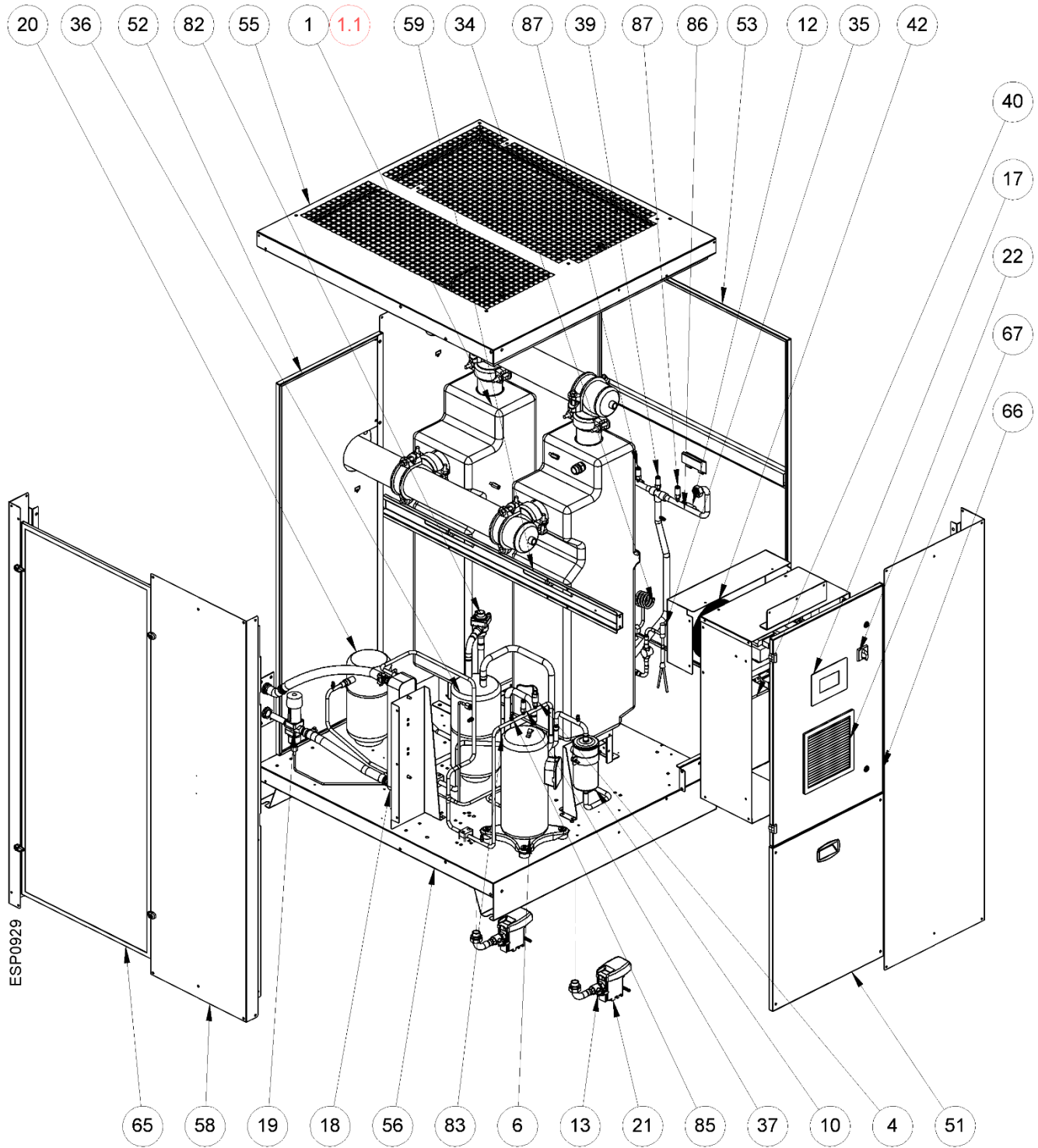


ESP0927

12.2.3 SACT VS 1500 – 2500 Air Cooled

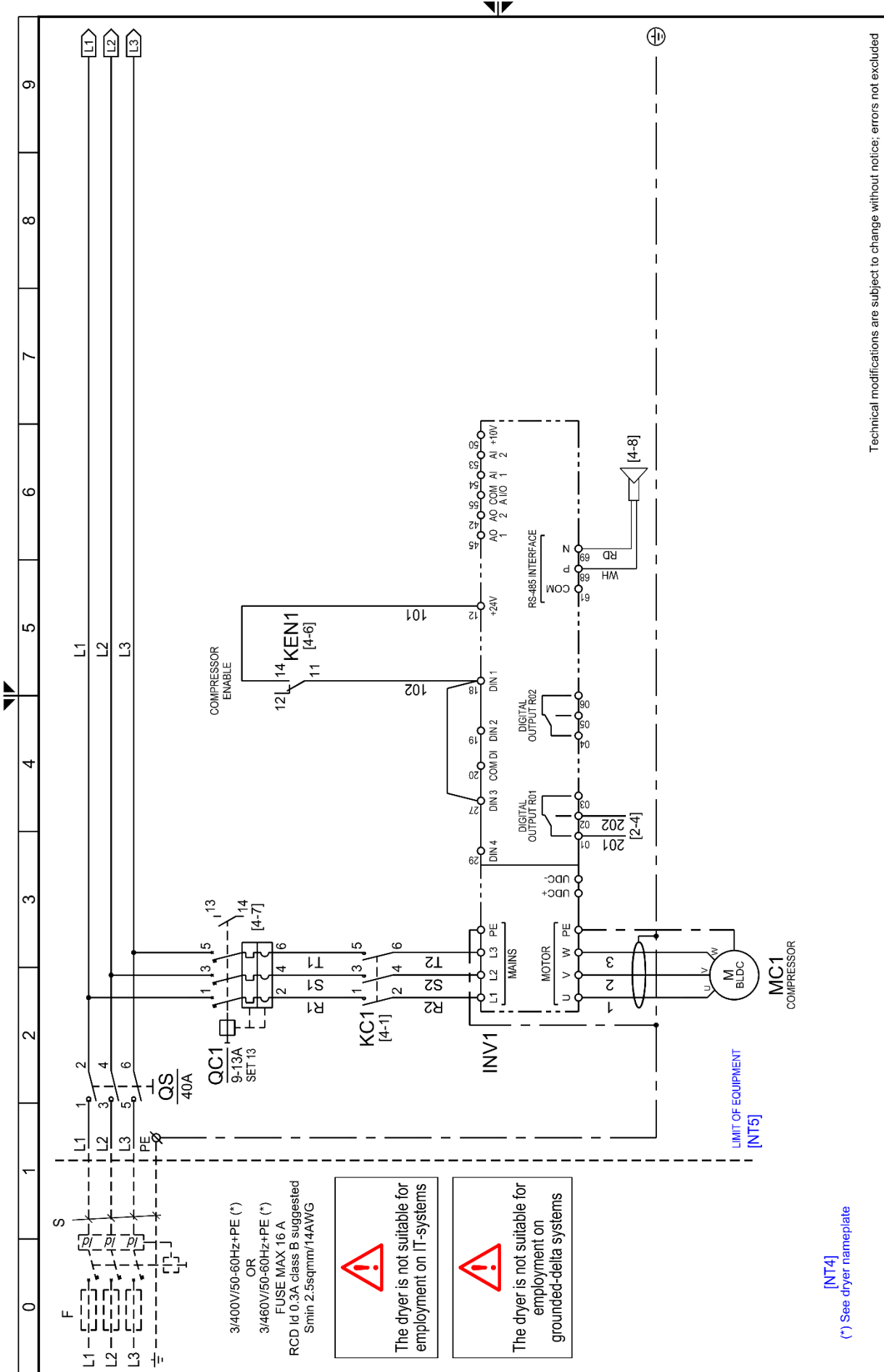


12.2.4 SACT VS 1500 – 2500 Water Cooled



12.3 Electric diagrams

12.3.1 SACT 800-1250 Sheet 1 of 6



3/400V/50-60Hz+PE (\*)  
OR  
3/460V/50-60Hz+PE (\*)  
FUSE MAX 16 A  
RCD Id 0.3A class B suggested  
Smin 2.5sqmm/14AWG

**⚠**  
The dryer is not suitable for  
employment on IT-systems

**⚠**  
The dryer is not suitable for  
employment on  
grounded-delta systems

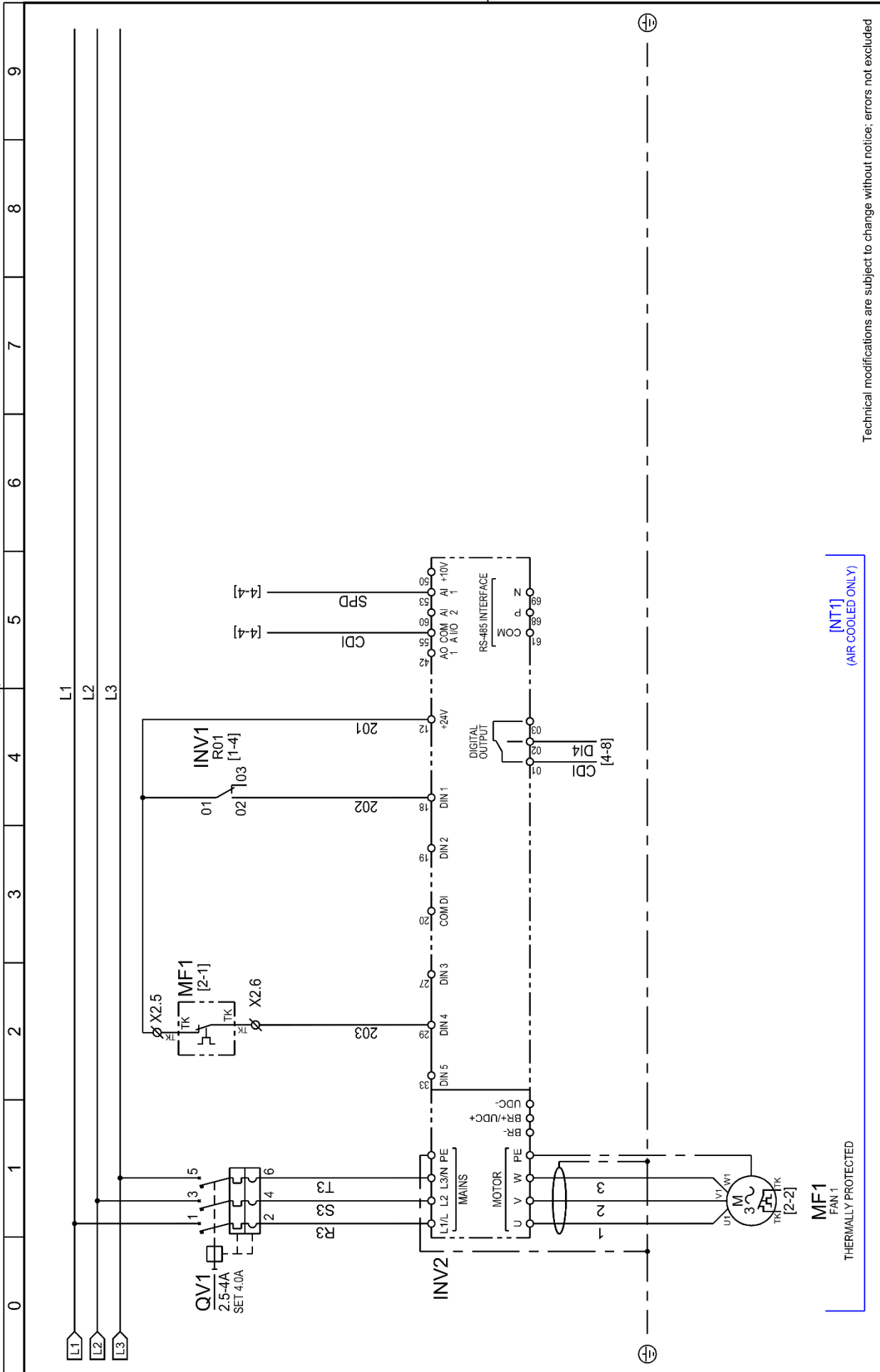
[NT4]  
(\*) See dryer nameplate

Technical modifications are subject to change without notice; errors not excluded

Drawing no.: **WD5478QCD050\_V00**  
Rev. **01**  
Note: -  
Sheet **01** of **06**



12.3.1 SACT 800-1250 Sheet 2 of 6



[INT1]  
(AIR COOLED ONLY)

MF1  
FAN 1  
THERMALLY PROTECTED

Technical modifications are subject to change without notice; errors not excluded

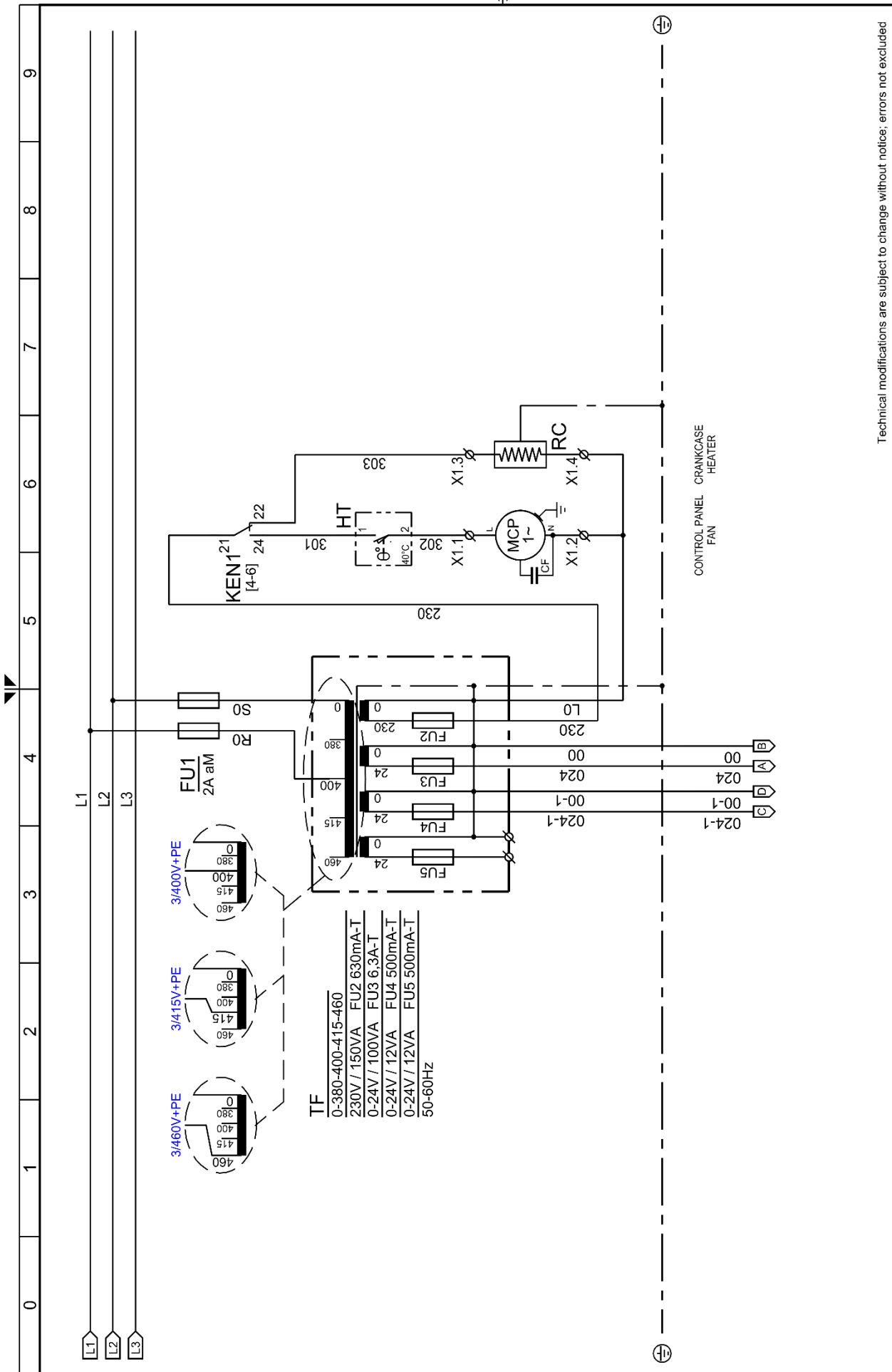
Drawing no. : WD5478QCD050\_V00

Rev. : 01

Note : -

Sheet 02 of 06

12.3.1 SACT 800-1250 Sheet 3 of 6



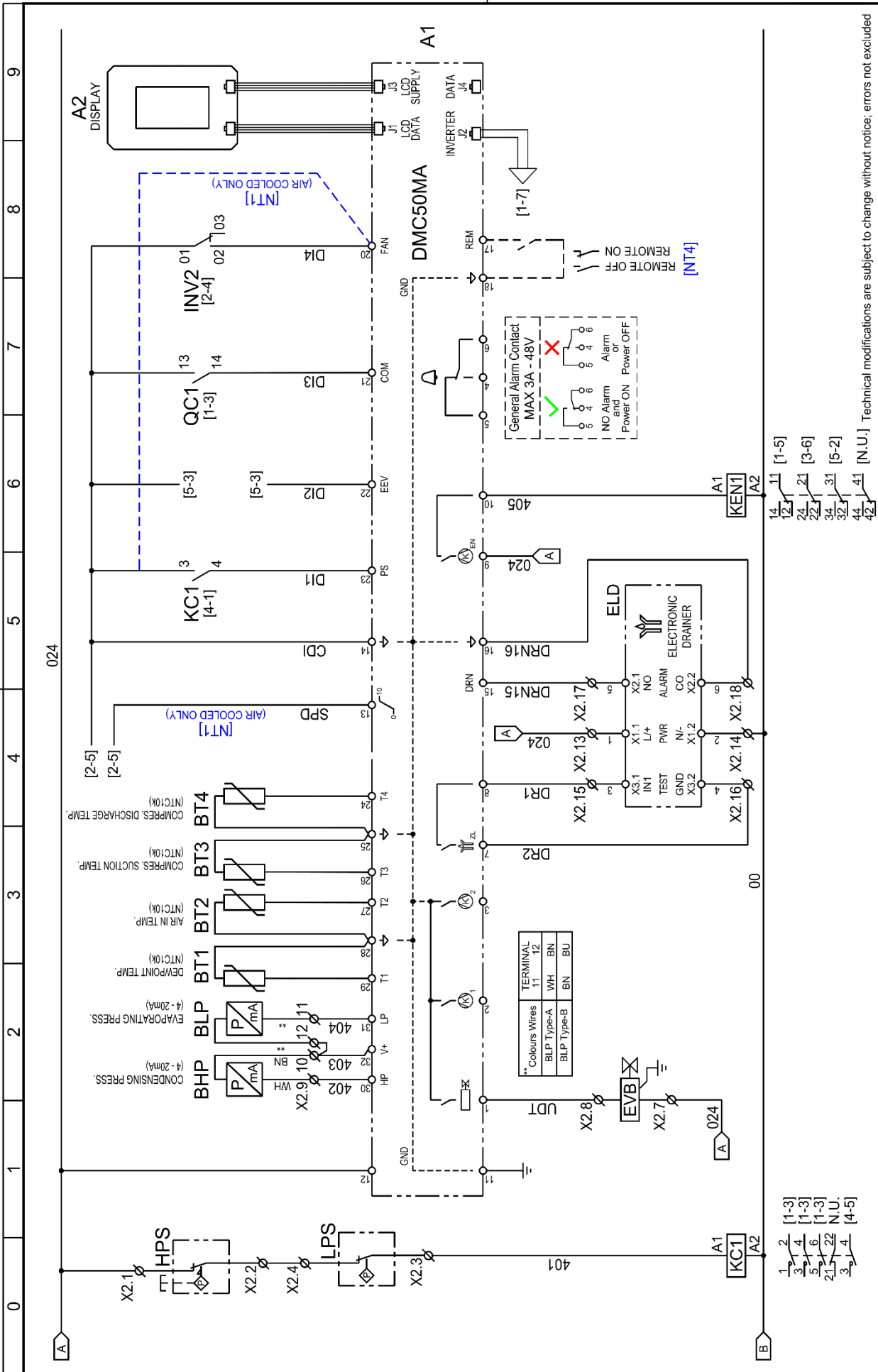
Drawing no. : WD5478QCCD050\_V00

Rev. : 01

Note : -

Sheet 03 of 06

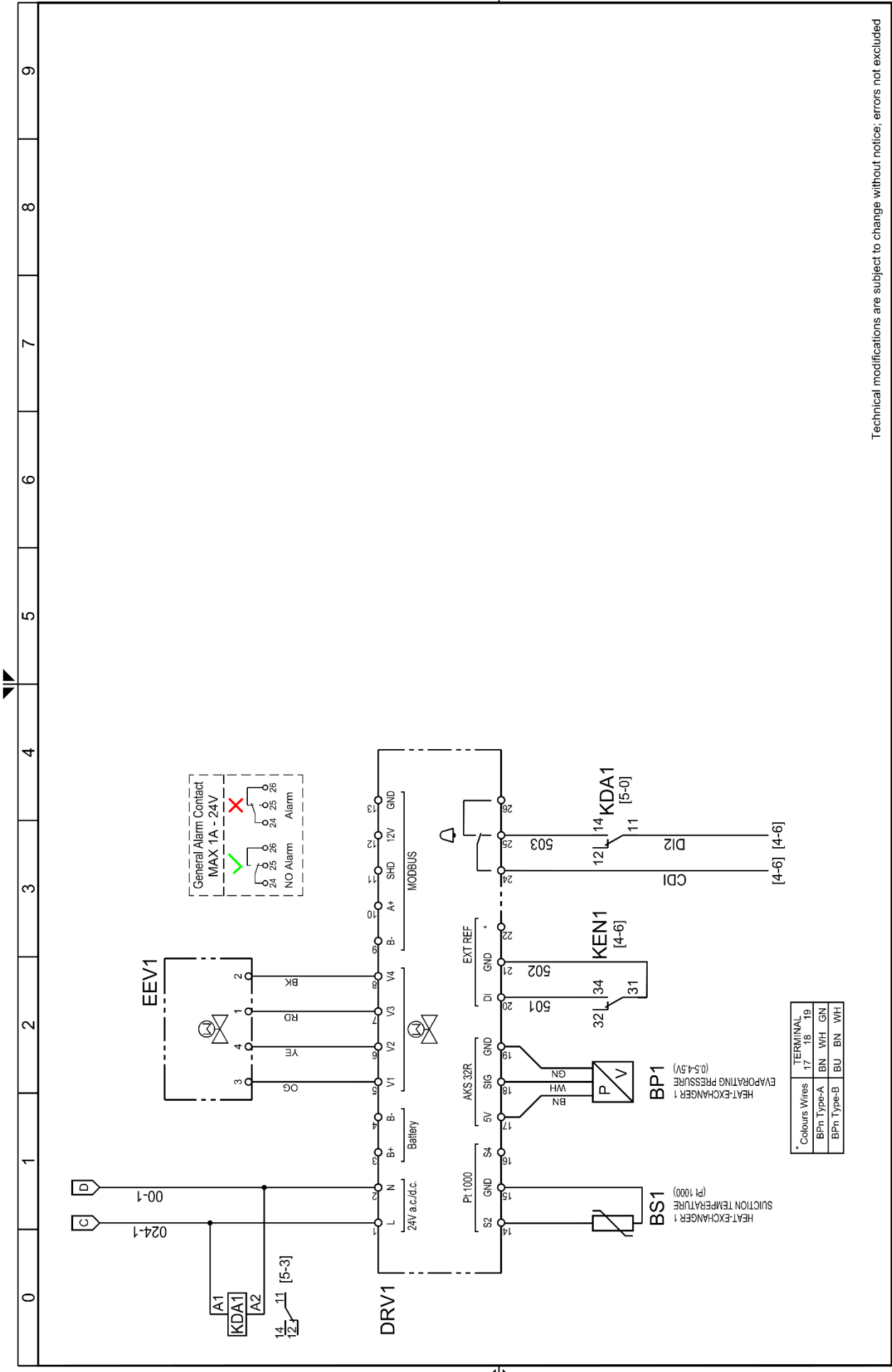
12.3.1 SACT 800-1250 Sheet 4 of 6



Drawing no.: **WD5478QCD050\_V00**  
 Rev.: **01**  
 Note: **Sheet 04 of 06**

Technical modifications are subject to change without notice; errors not excluded

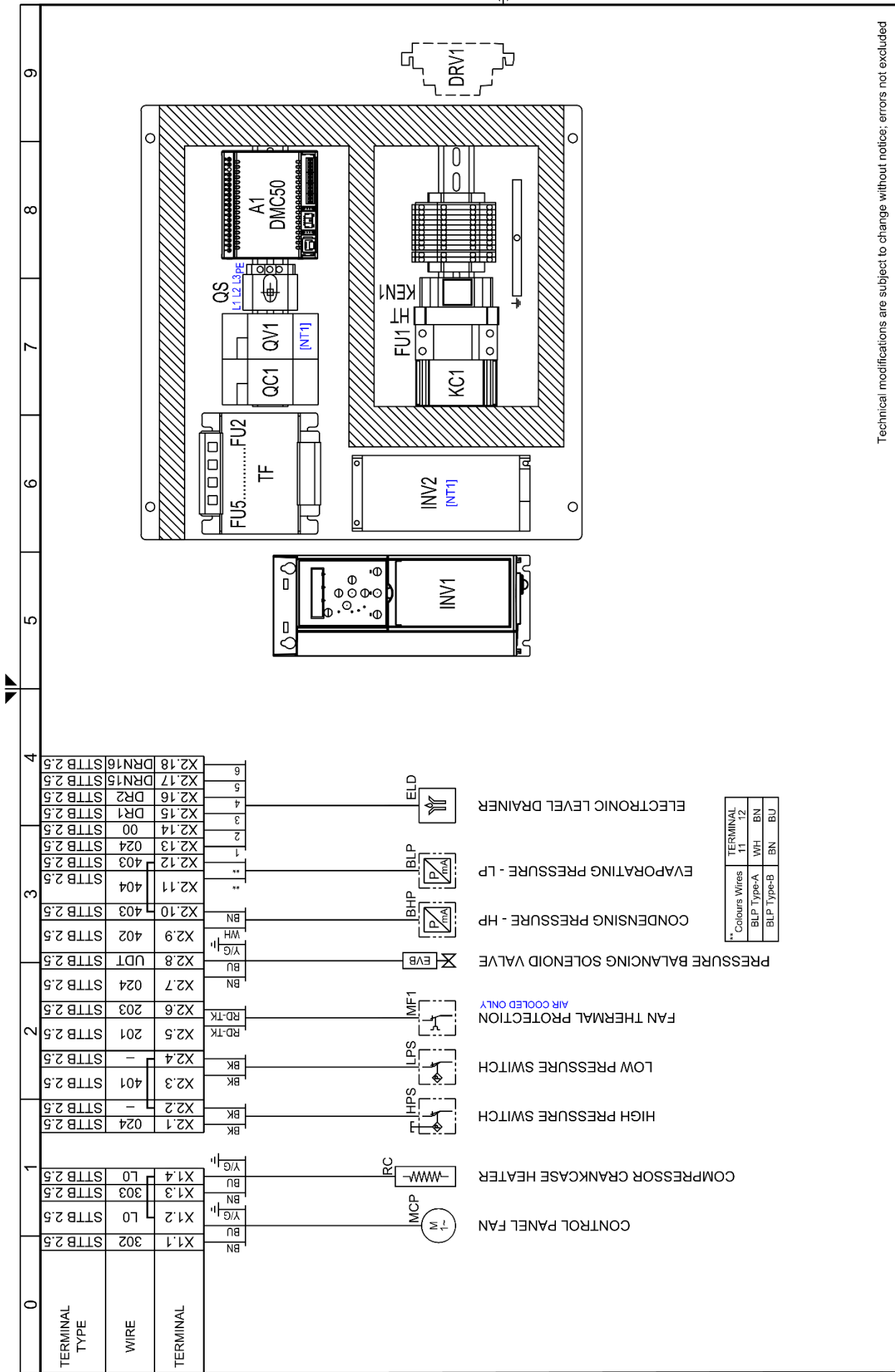
12.3.1 SACT 800-1250 Sheet 5 of 6



Technical modifications are subject to change without notice; errors not excluded

Drawing no.: **WD5478QCCD050\_V00** Rev. **01**  
 Note: - Sheet **05** of **06**

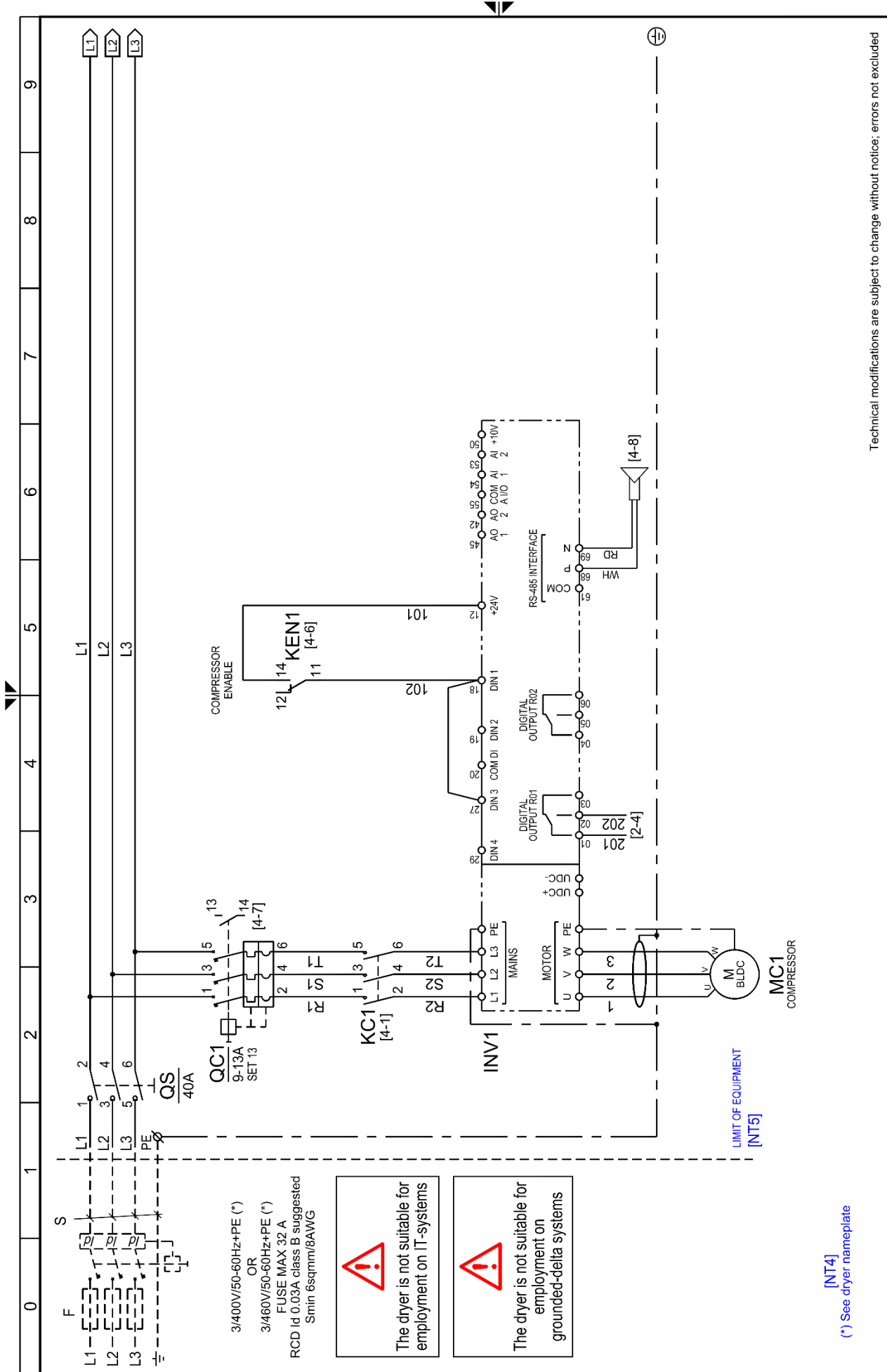
12.3.1 SACT 800-1250 Sheet 6 of 6



Technical modifications are subject to change without notice; errors not excluded

Drawing no.: **WD5478QCD050\_V00** Rev. **01**  
 Note: Sheet **06** of **06**

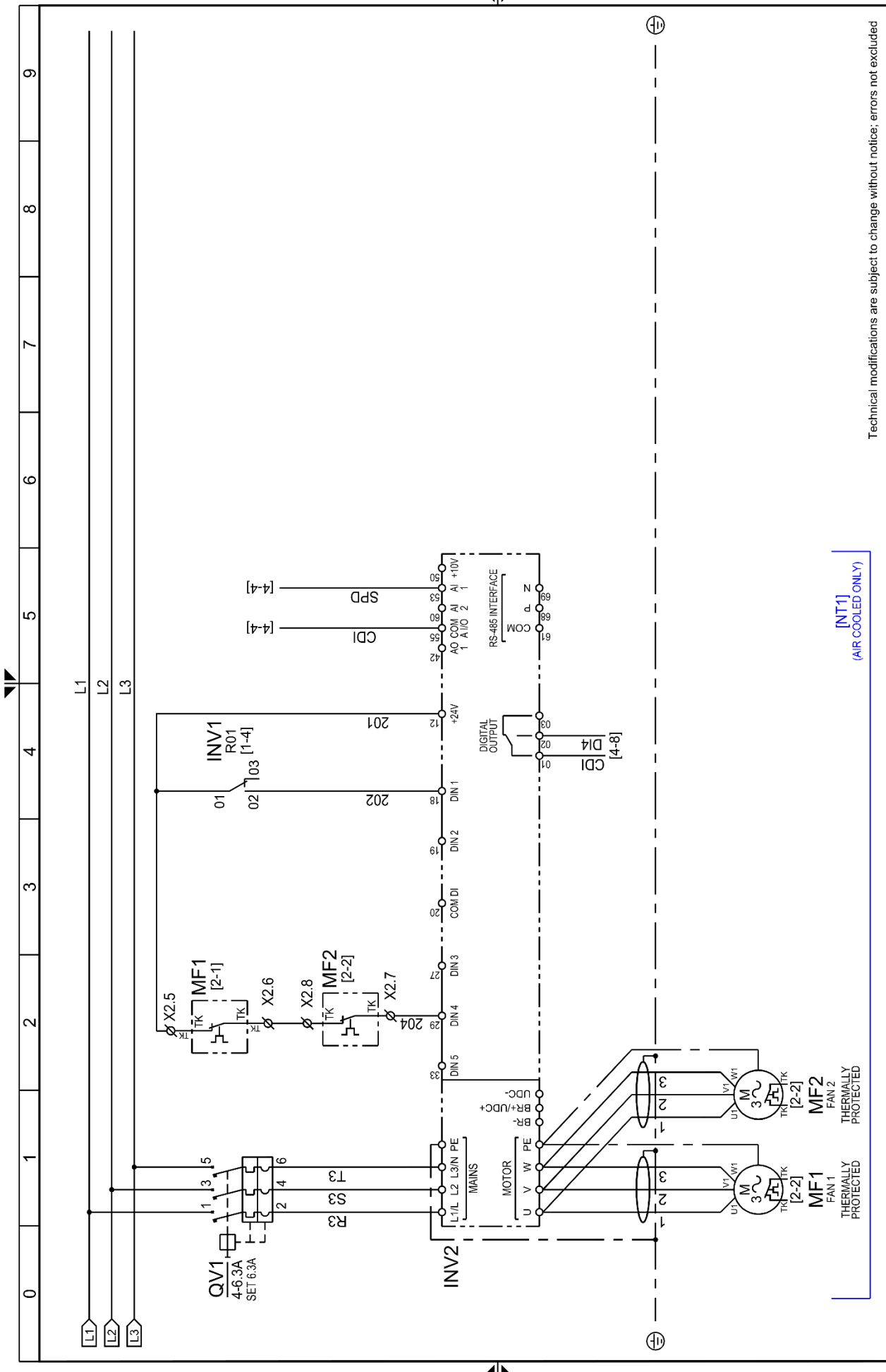
12.3.2 SACT 1500 - 1750 Sheet 1 of 7



Technical modifications are subject to change without notice; errors not excluded

Drawing no.: **WD5478QCD051\_V00**  
 Rev. **01**  
 Note: -  
 Sheet **01** of **07**

12.3.2 SACT 1500 - 1750 Sheet 2 of 7

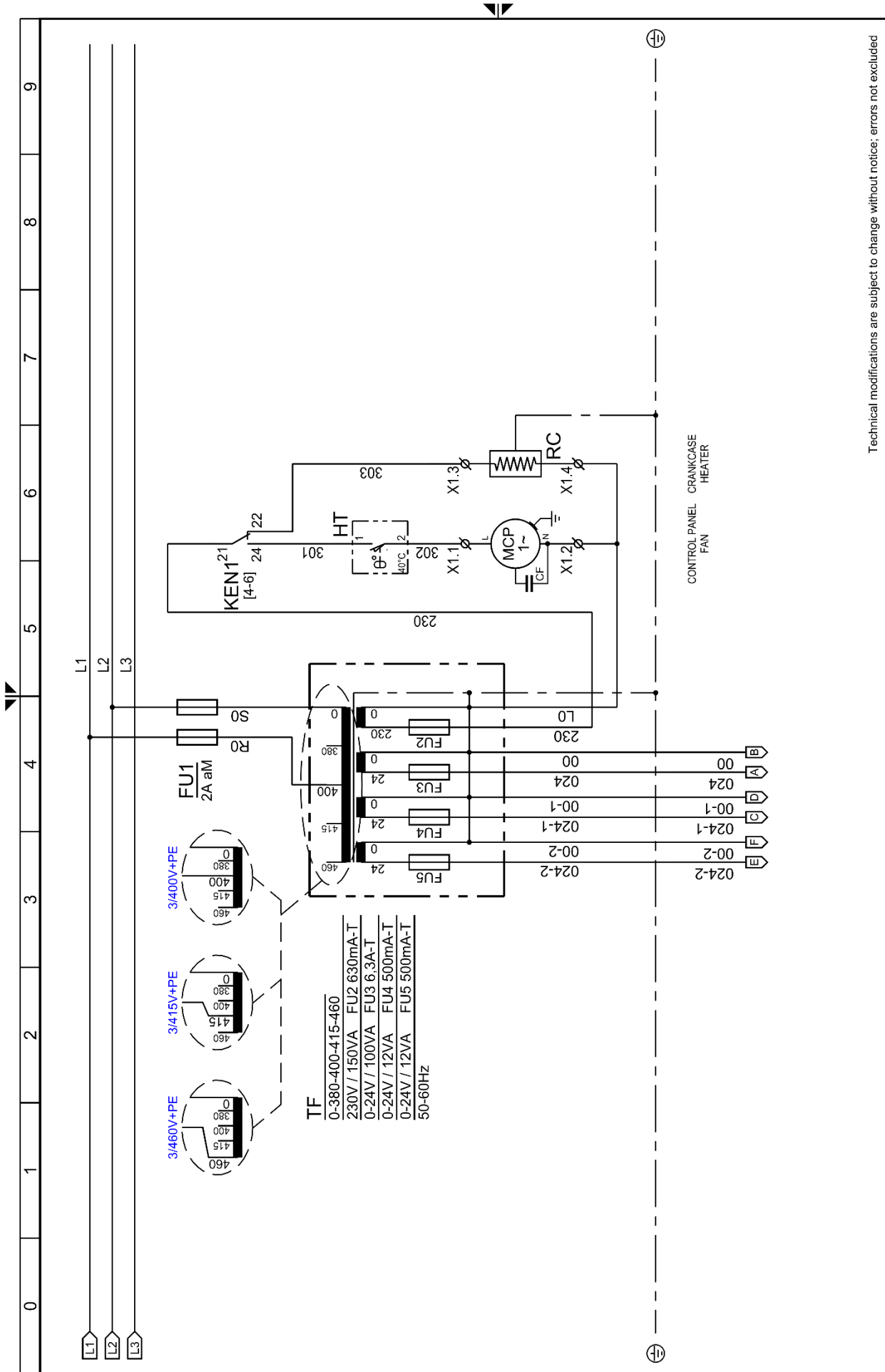


[INT1]  
(AIR COOLED ONLY)

Technical modifications are subject to change without notice; errors not excluded

Drawing no.: **WD5478QCD051\_V00**  
 Rev. **01**  
 Note: -  
 Sheet **02** of **07**

12.3.2 SACT 1500 - 1750 Sheet 3 of 7



Technical modifications are subject to change without notice; errors not excluded

Drawing no.: WD5478QCCD051\_V00

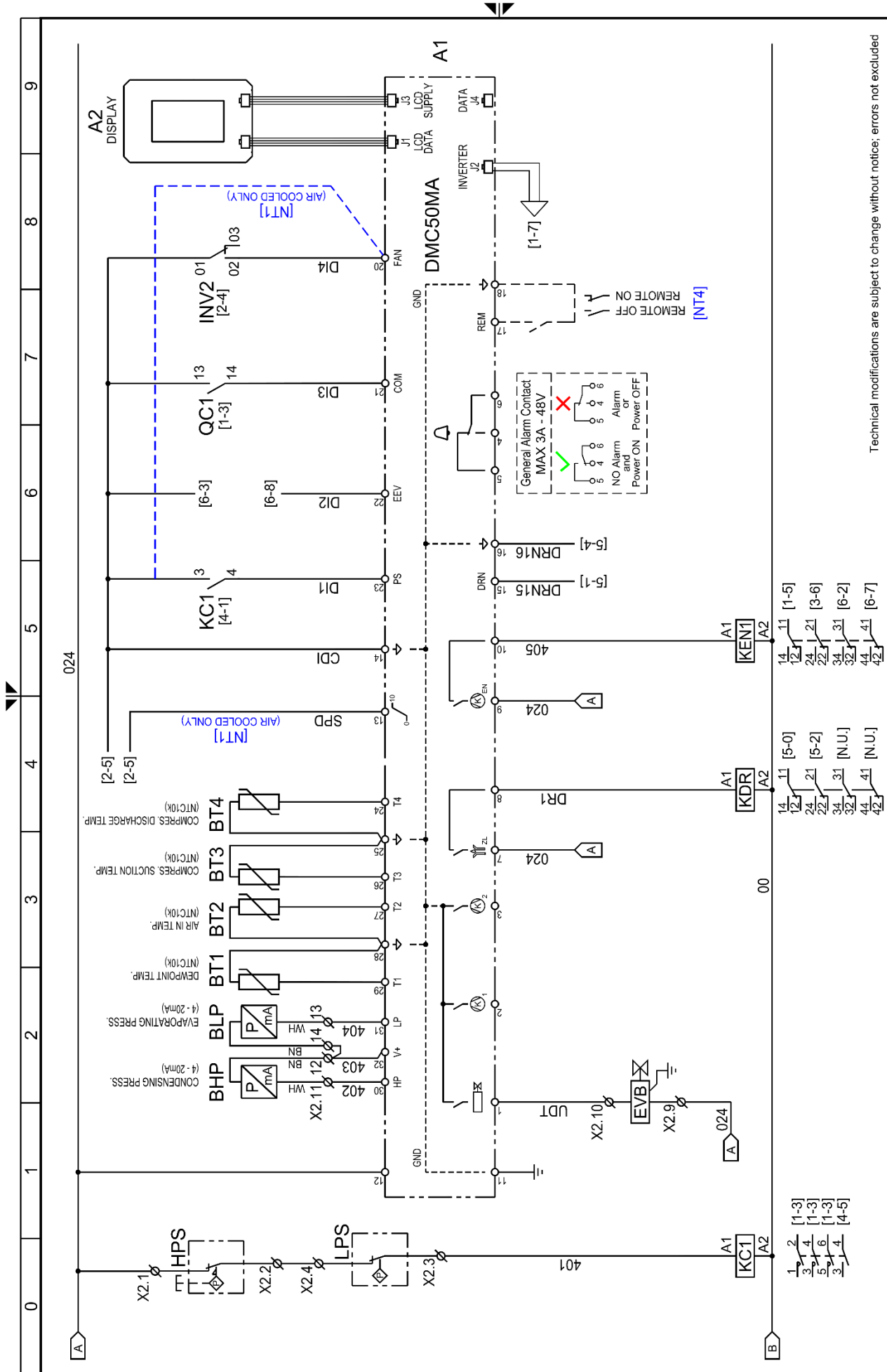
Rev. 01

Note: -

Sheet 03 of 07



12.3.2 SACT 1500 - 1750 Sheet 4 of 7



Technical modifications are subject to change without notice; errors not excluded

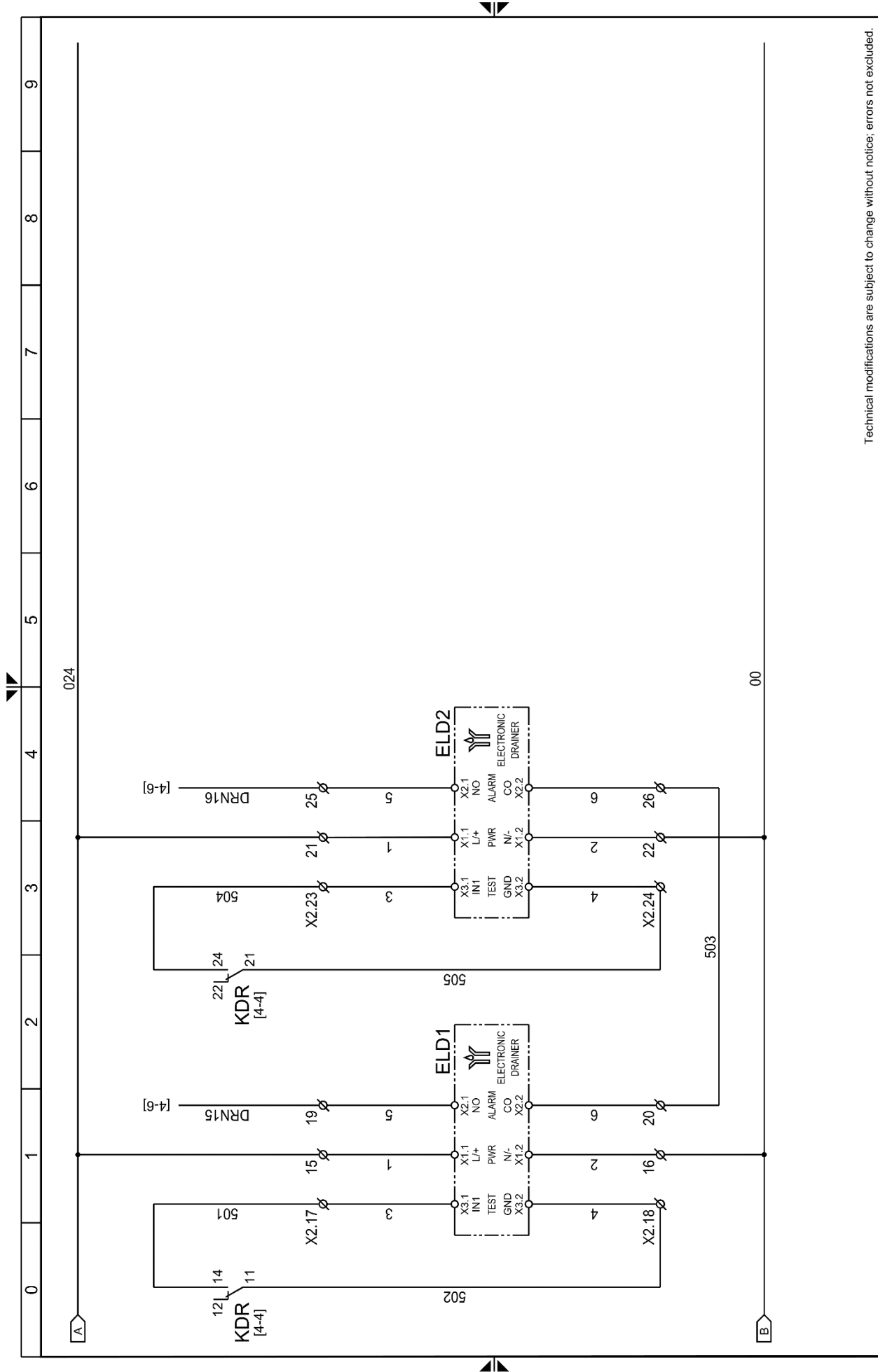
Rev. Drawing no. : WD5478QCD051\_V00

01

Note : -

Sheet 04 of 07

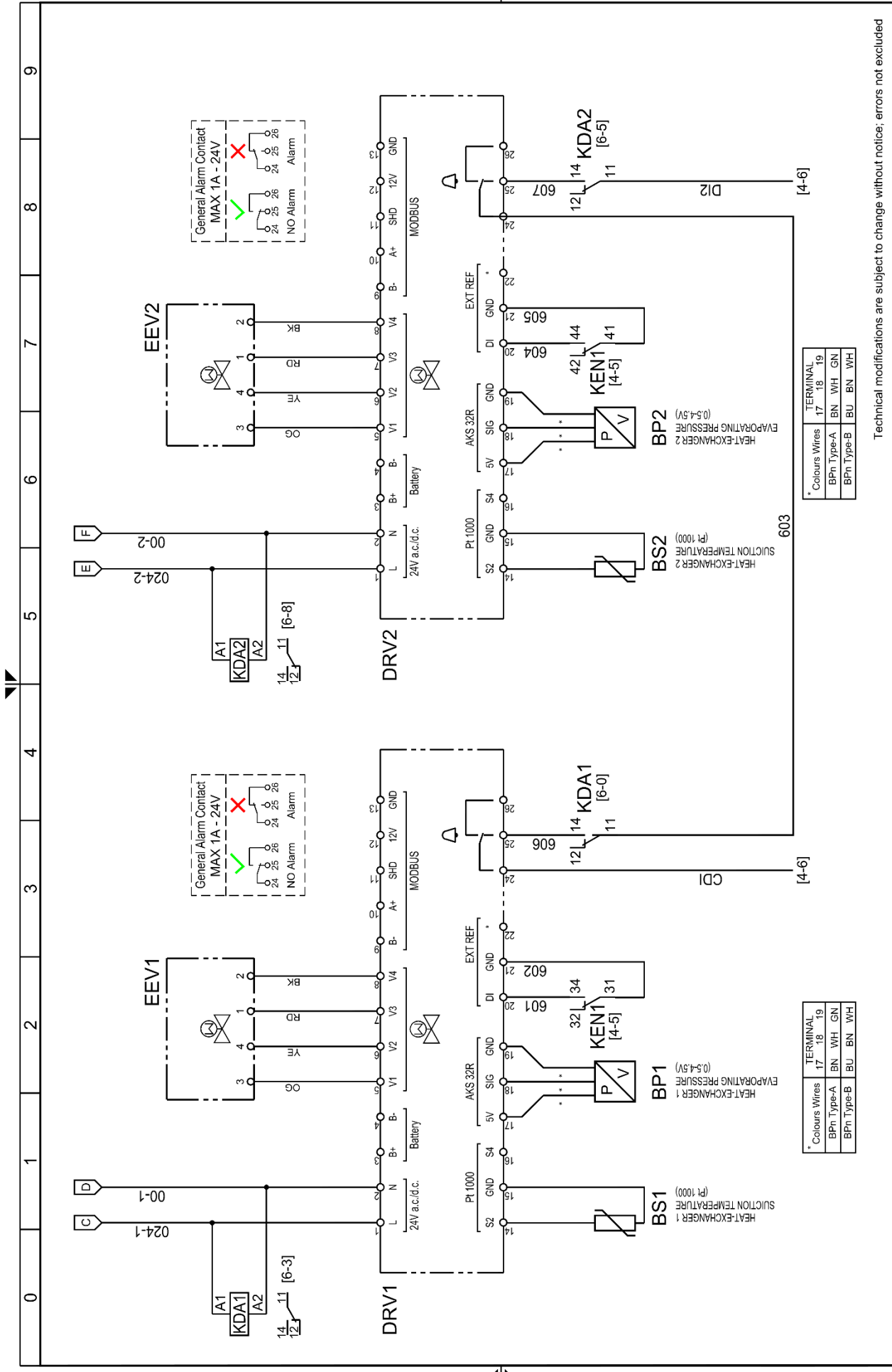
12.3.2 SACT 1500 - 1750 Sheet 5 of 7



Technical modifications are subject to change without notice; errors not excluded.

Drawing no. : **WD5478QCD051\_V00**  
 Rev. **01**  
 Note : -  
 Sheet **05** of **07**

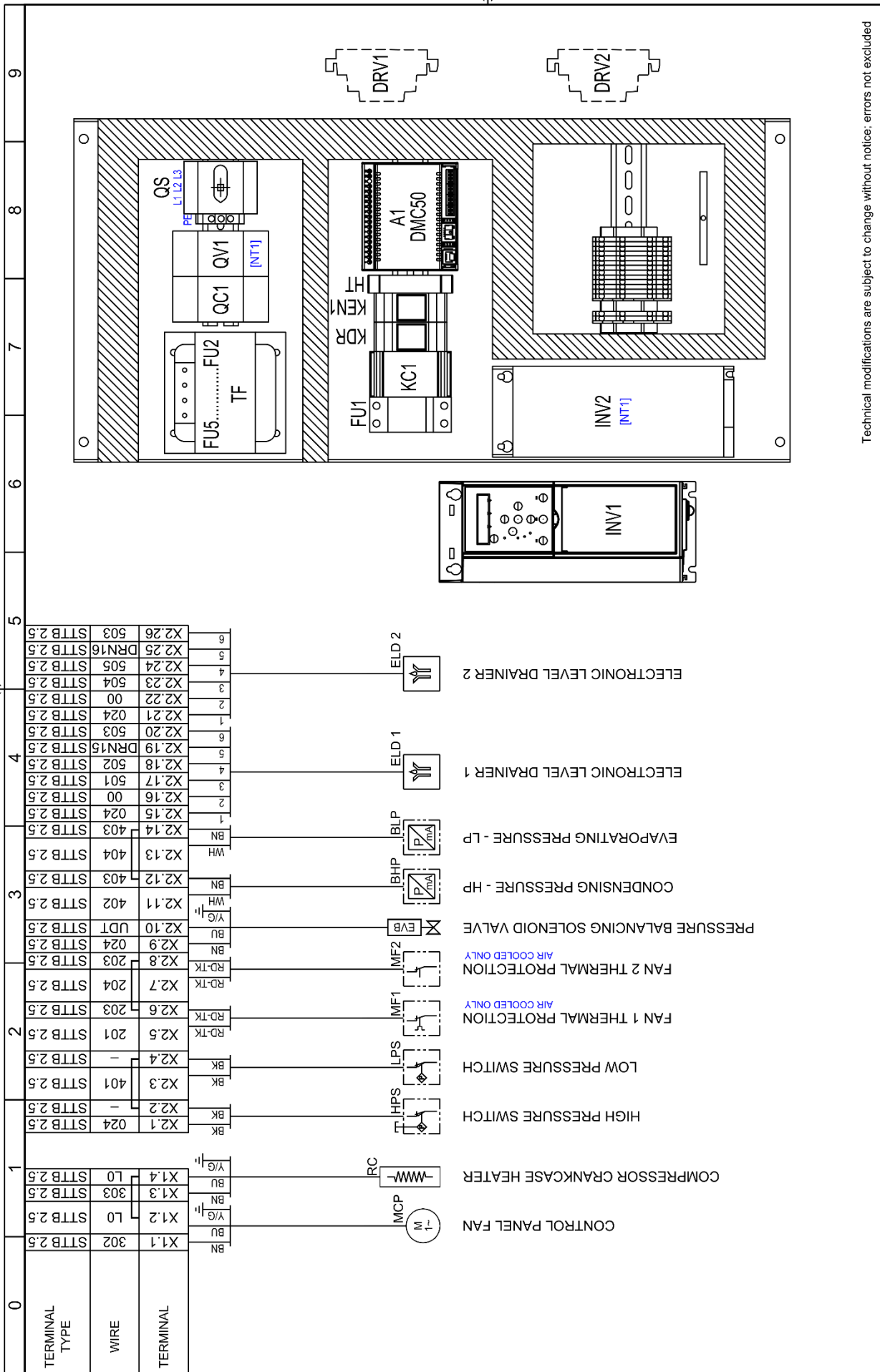
12.3.2 SACT 1500 - 1750 Sheet 6 of 7



Technical modifications are subject to change without notice; errors not excluded

Rev. 01  
 Drawing no.: WD5478QCD051\_V00  
 Note: -  
 Sheet 06 of 07

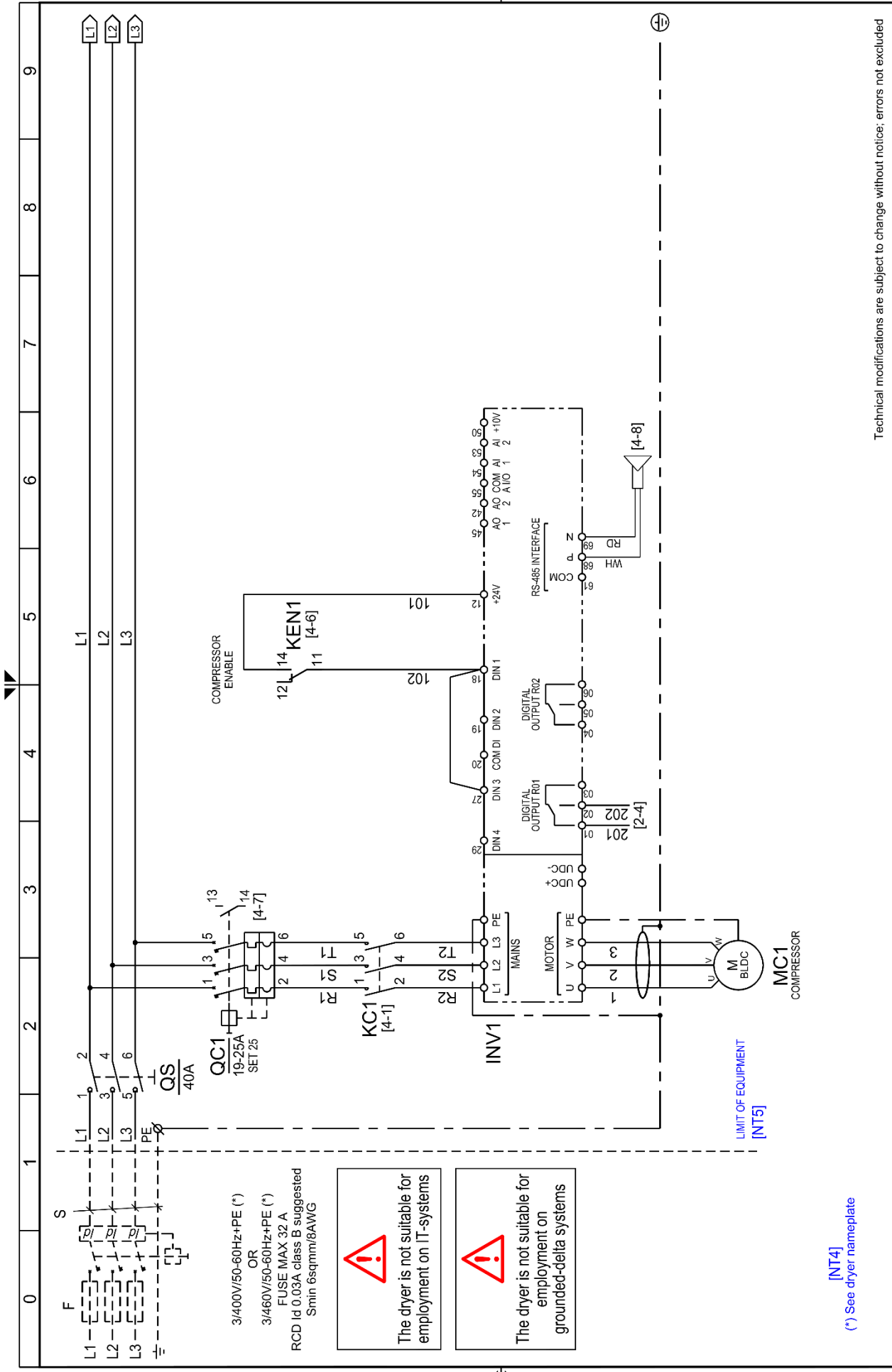
12.3.2 SACT 1500 - 1750 Sheet 7 of 7



Technical modifications are subject to change without notice; errors not excluded

Rev. 01  
 Drawing no.: WD5478QCD051\_V00  
 Note: Sheet 07 of 07

12.3.3 SACT 2000 - 2500 Sheet 1 of 7



Technical modifications are subject to change without notice; errors not excluded

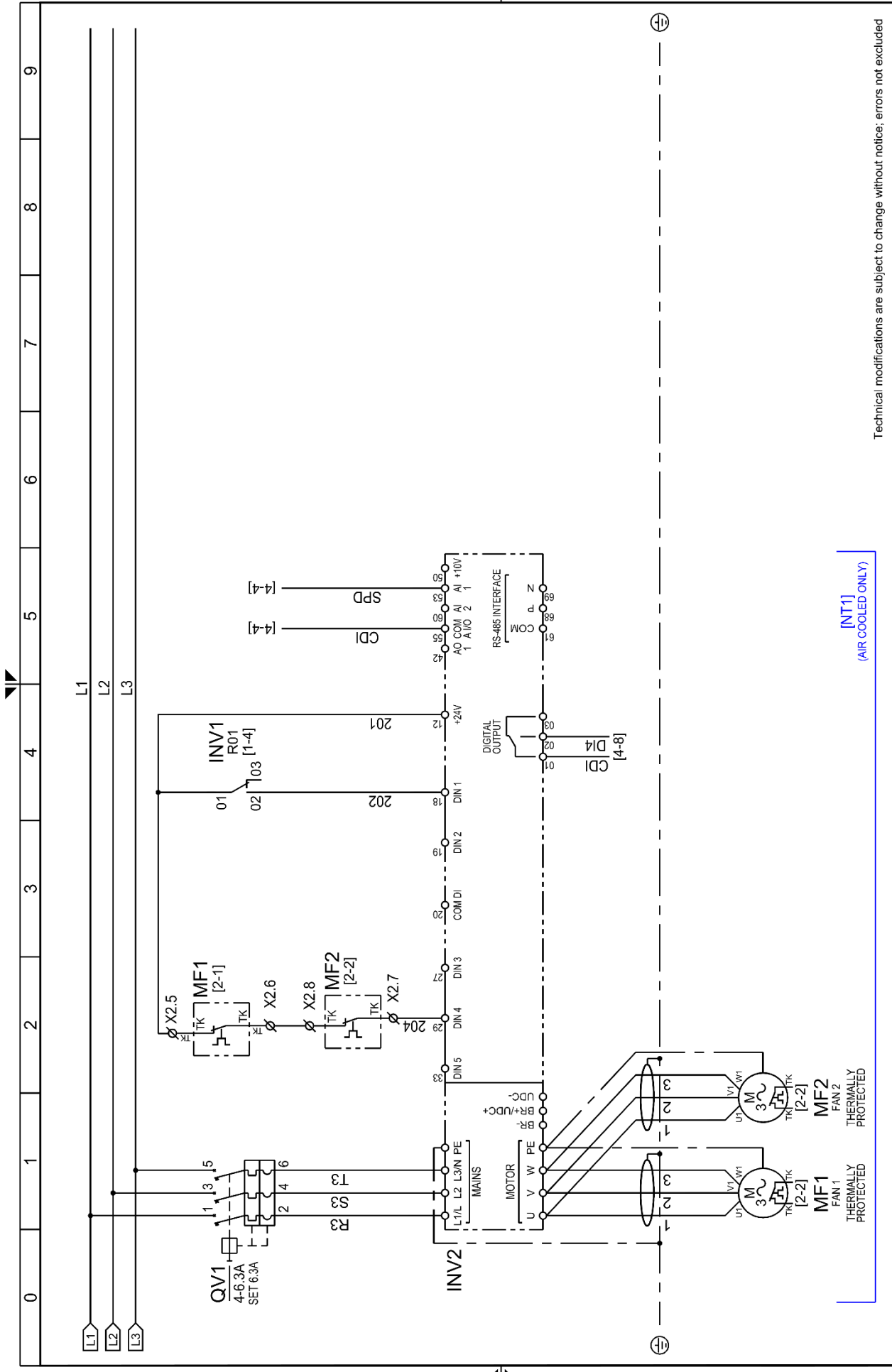
Drawing no.: WD5478QCD052\_V00  
 Rev.: 00  
 Note: -  
 Sheet 01 of 07

**!**  
 The dryer is not suitable for employment on IT-systems

**!**  
 The dryer is not suitable for employment on grounded-delta systems

[NT4] (\*) See dryer nameplate

12.3.3 SACT 2000 - 2500 Sheet 2 of 7

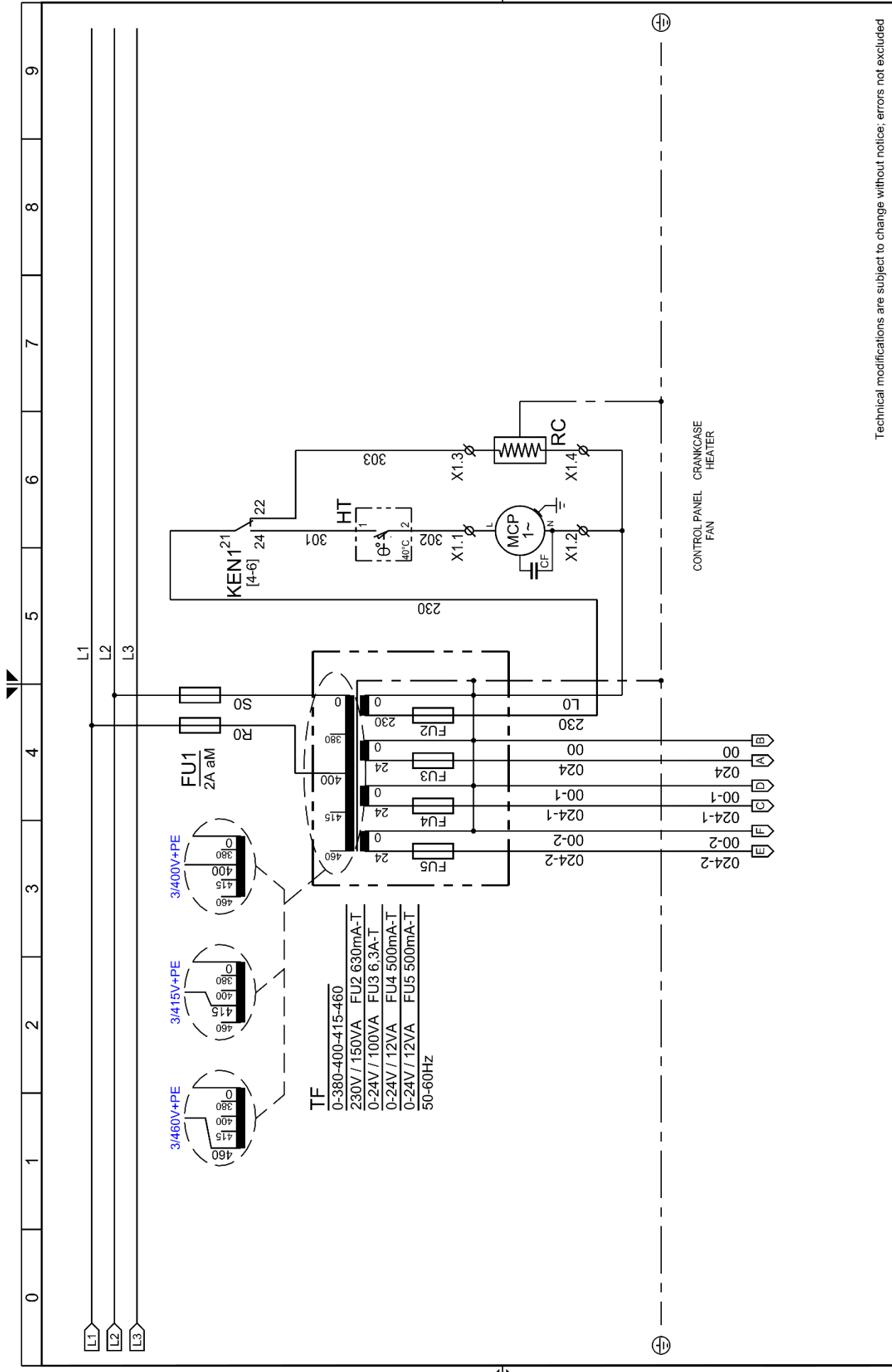


[NT1]  
(AIR COOLED ONLY)

Technical modifications are subject to change without notice; errors not excluded

Drawing no.: WD5478QCCD052\_V00  
 Rev.: 00  
 Note: .  
 Sheet 02 of 07

12.3.3 SACT 2000 - 2500 Sheet 3 of 7

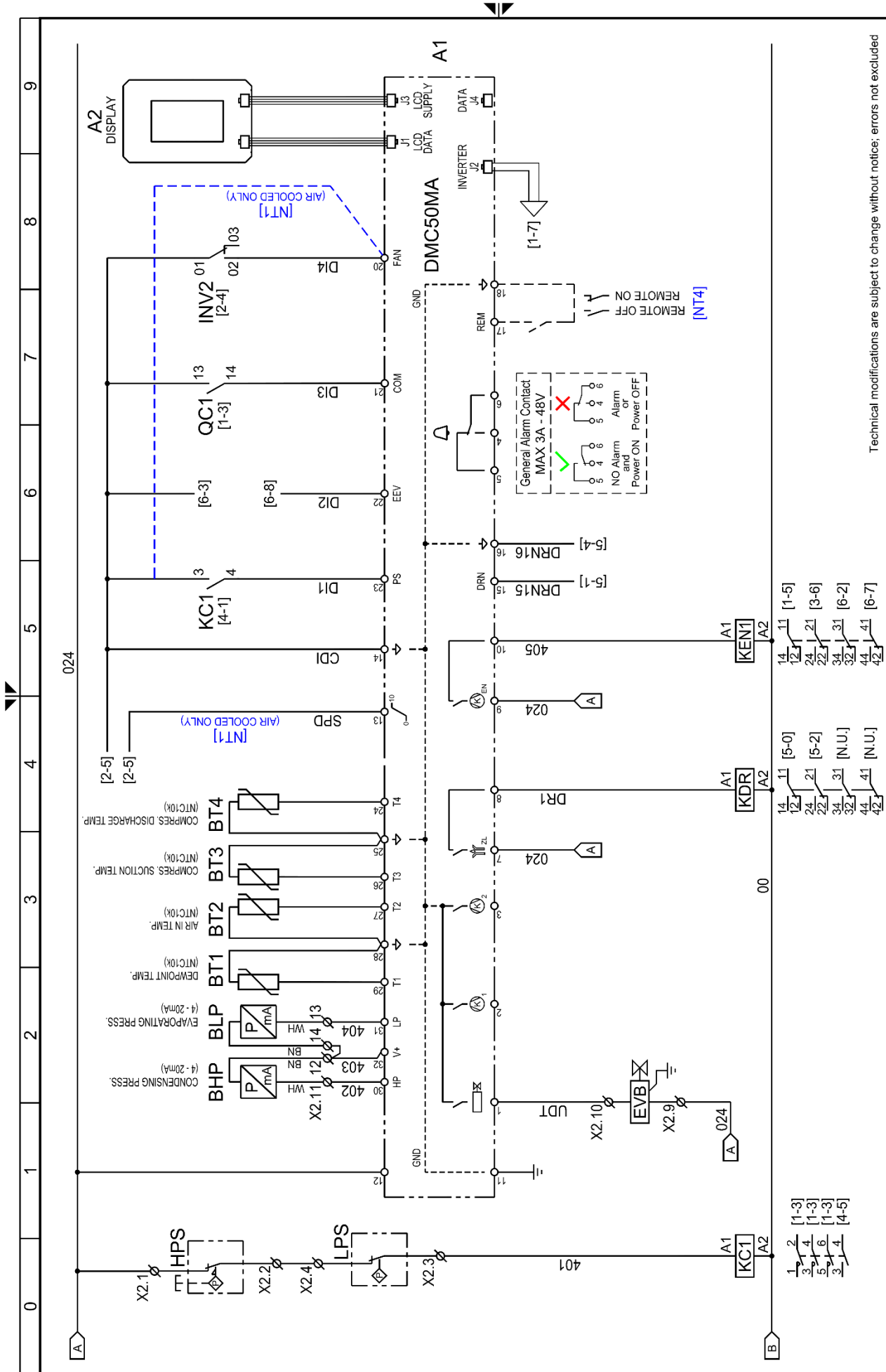


Technical modifications are subject to change without notice; errors not excluded

Drawing no.: WD5478QCCD052\_V00  
 Rev.: 00  
 Note: -

Sheet 03 of 07

12.3.3 SACT 2000 - 2500 Sheet 4 of 7



Technical modifications are subject to change without notice; errors not excluded

Rev.

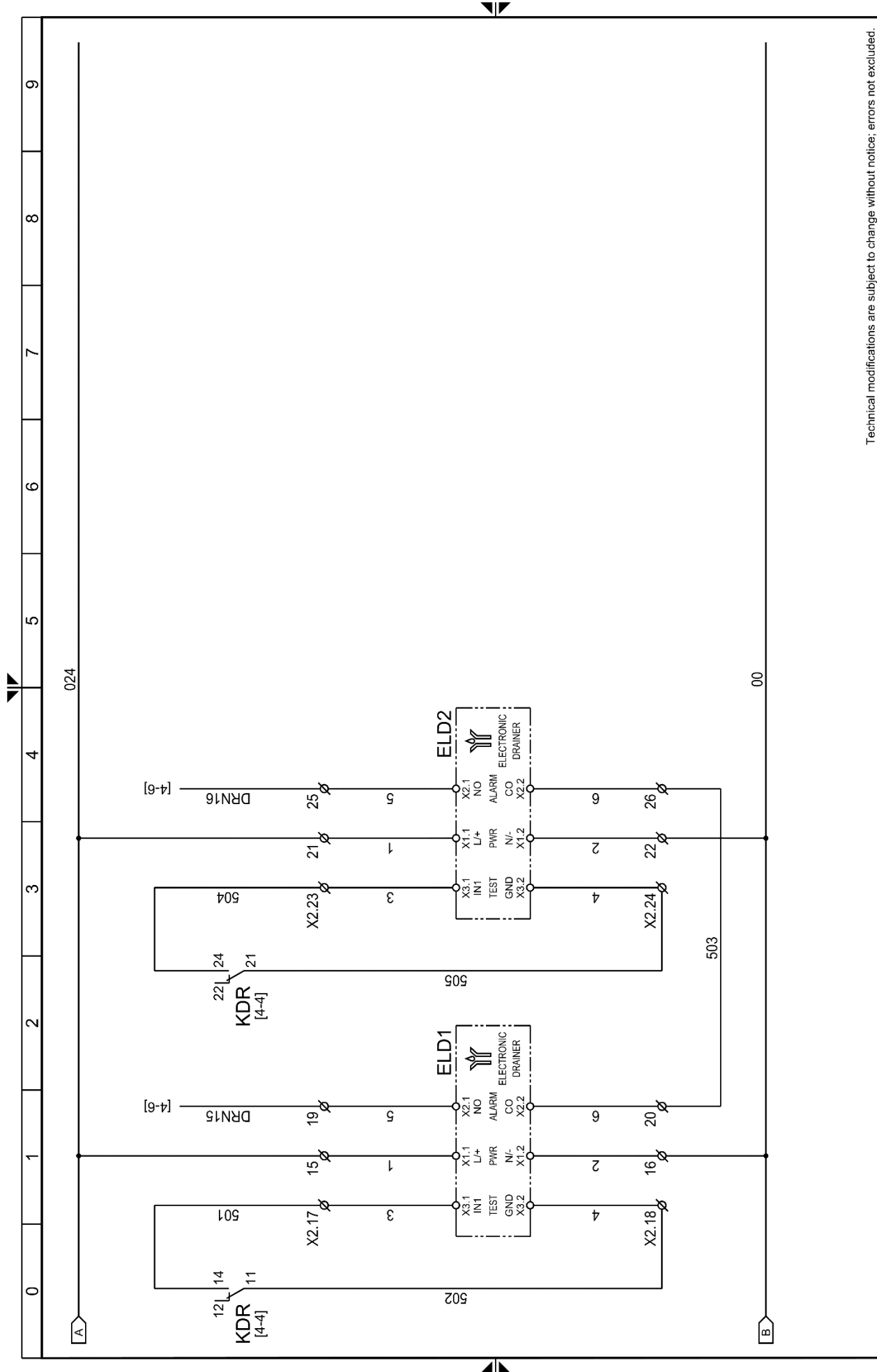
WD5478QCD052\_V00

Note :

00

Sheet 04 of 07





Technical modifications are subject to change without notice; errors not excluded.

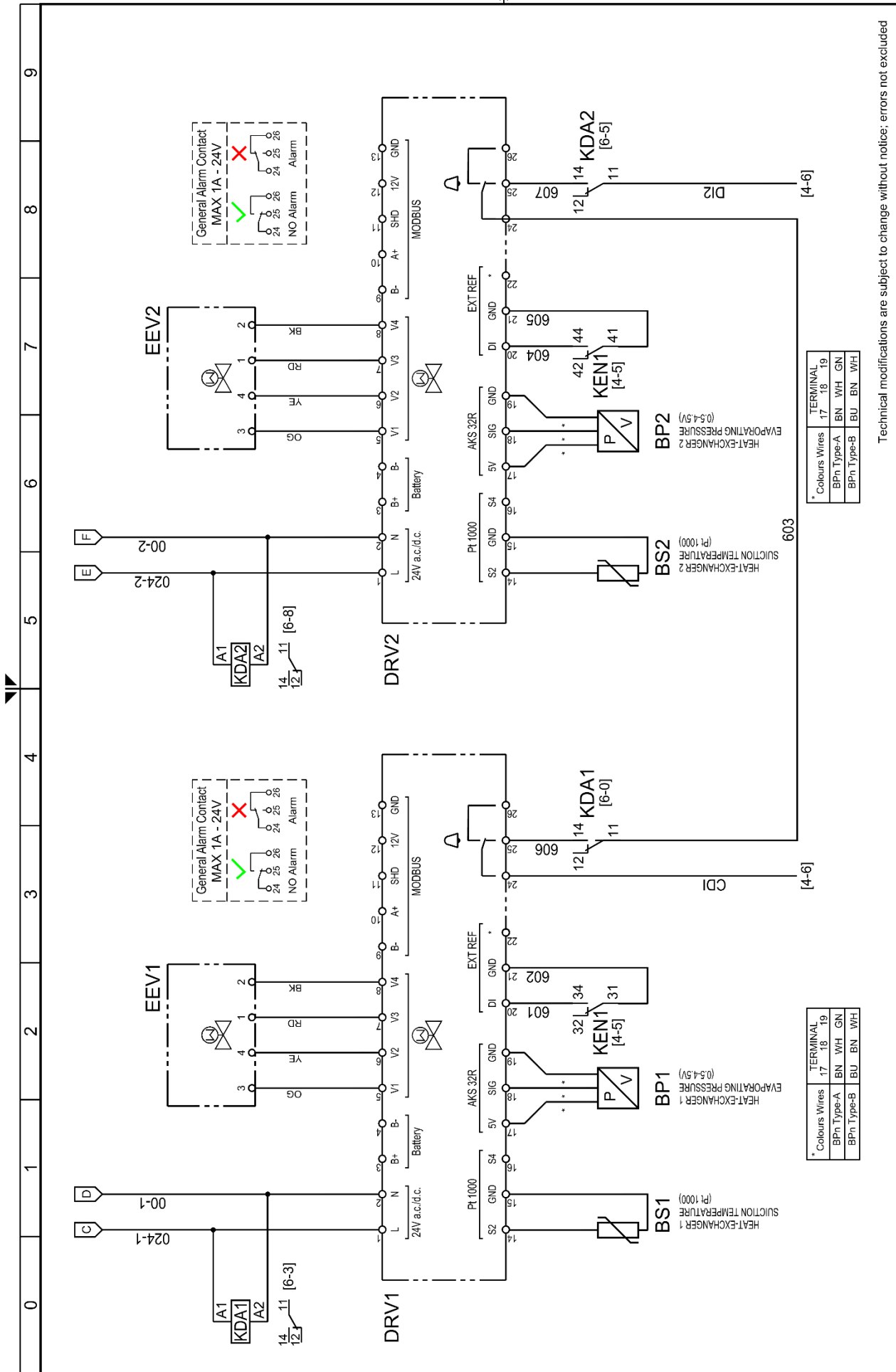
Drawing no. : WD5478QCD052\_V00

Rev. : 00

Note : -

Sheet 05 of 07

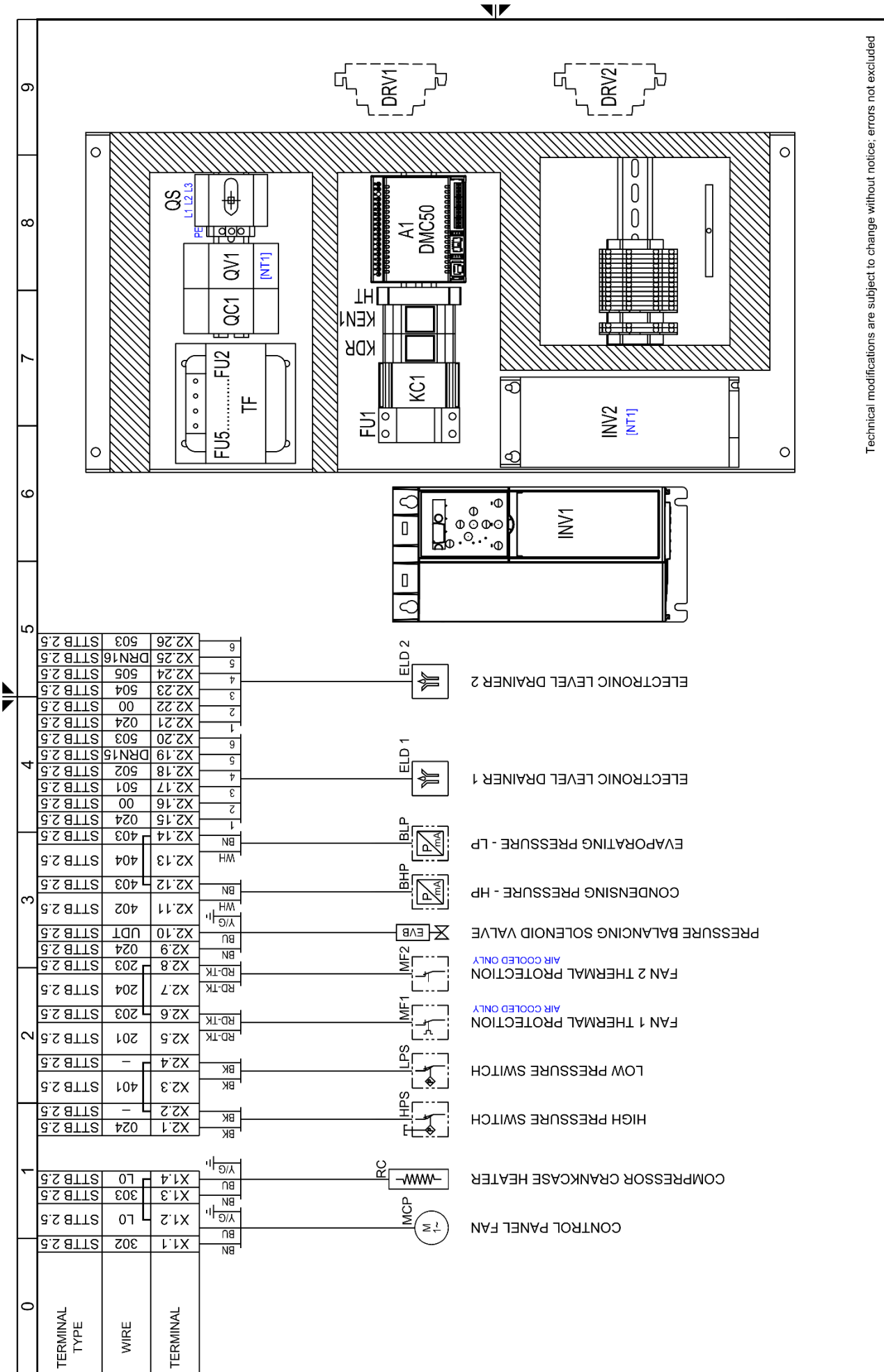
12.3.3 SACT 2000 - 2500 Sheet 6 of 7



Technical modifications are subject to change without notice; errors not excluded

Drawing no. : WD5478QCD052\_V00  
 Rev. : 00  
 Note :  
 Sheet 06 of 07

12.3.3 SACT 2000 - 2500 Sheet 7 of 7



Technical modifications are subject to change without notice; errors not excluded

Rev.

WD5478QCD052\_V00

00

Note:

Sheet 07 of 07

**COSTRUTTORE / MANUFACTURER :**

**FRIULAIR S.r.l.**

**Sede Legale e Operativa:**

33050 - Cervignano del Friuli (UD) – ITALY  
Via Cisis, 36 - S.S.352 Km 21 Fraz. Strassoldo

[www.friulair.com](http://www.friulair.com)

**74MD0007B6-AT\_00**