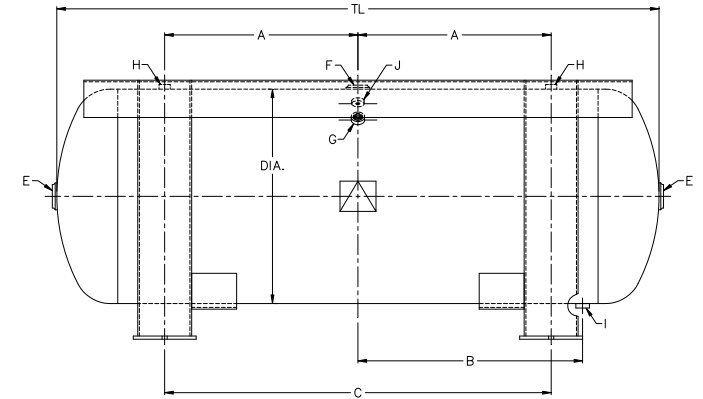
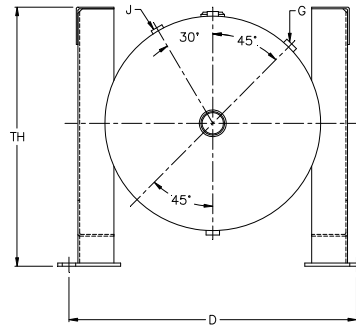




# Horizontal Grasshopper Tanks



**Description:** Horizontal Air Receiver with Feet

**Specifications:** Built to ASME Code Section VIII

National Board Registered

Carbon Steel

Formed Support Saddles

Grey Primer

200 PSI Maximum Working Pressure

PART #	DESIGN PRESSURE	DESCRIPTION				DIMENSIONS (INCHES)				OPENINGS (NPT)						WT. (LBS)
		GAL	DIA	TL	TH	A	B	C	D	E	F	G	H	I	J	
A28020048200	200 PSI	60	20	48	25	13 ½	15 ½	27	26 ½	2	1 ½	¾	½	½	1/8	216
A28020063200	200 PSI	80	20	63	25	21	23	42	26 ½	2	1 ½	¾	½	¾	1/8	275
A28024067200	200 PSI	120	24	67	29	21 ½	25	43	32	2	1 ½	¾	½	¾	1/8	413
A28030072200	200 PSI	200	30	72	35	21	25	42	40	2	1 ½	¾	½	1	1/8	661
A28030084200	200 PSI	240	30	84	35	27	31	54	40	2	2	¾	2	1	1/8	758